

# ELMARK<sup>®</sup>

The Brand of Electricity

## LED PANELS SQUARE ELMARK



### GENERAL INFORMATION »

- ∴ Rated voltage: 230V/ 50-60Hz
- ∴ Power: 12W; 18W;
- ∴ Power supply: Control gear; DC device- driver
- ∴ Colour temperature: 2700K; 4000K; 6400K
- ∴ LED source: Epistar SMD
- ∴ Colour body: White
- ∴ Body: Aluminium
- ∴ Beam angle: 120°
- ∴ Colour rendering index: Ra≥80
- ∴ Switch on/off: >20 000
- ∴ Average lifetime: 30 000h
- ∴ Starting time: < 0,5s
- ∴ Power factor:  $\lambda > 0.8$
- ∴ Installation: Built-in
- ∴ Protection against dust and moisture: IP40
- ∴ Available in variant with an emergency kit

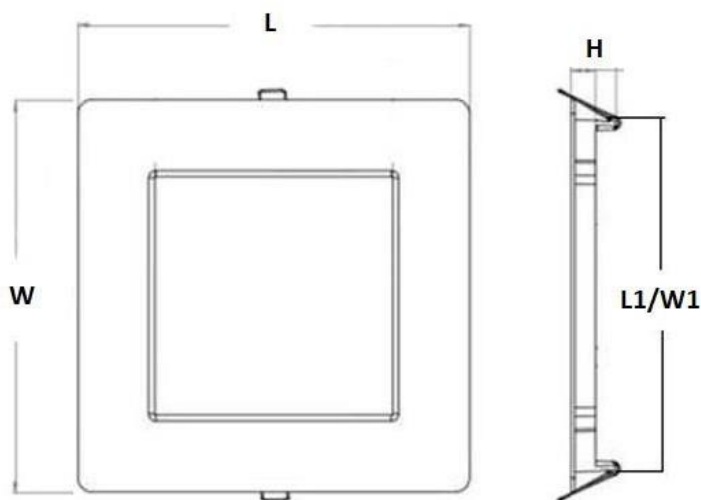
### FEATURES »

- ∴ Completely replace traditional fluorescent lighting
- ∴ Safety, low voltage operation
- ∴ Emit a very pleasant and even light with very low glare factor due to the diffusion lens
- ∴ Low power consumption
- ∴ Instant light with maximum luminous flux
- ∴ Environmentally friendly - do not emit mercury and lead
- ∴ No ultraviolet and infrared rays
- ∴ Resistant to shock and vibration
- ∴ Suitable for home, offices, halls, shops, hospitals

## PRODUCT DETAILS »

Catalogue number	Catalogue number with Emergency kit	Watt (W)	Whole fixture lumens (lm)	Colour temp. (K)	Colour body
99LED967CW	99LED967CWE	12	890	6400	white
99LED967	99LED967E	12	890	4000	white
99LED967WW	99LED967WWE	12	890	2700	white
99LED968CW	99LED968CWE	18	1420	6400	white
99LED968	99LED968E	18	1420	4000	white
99LED968WW	99LED968WWE	18	1420	2700	white

## DIMENSIONS »



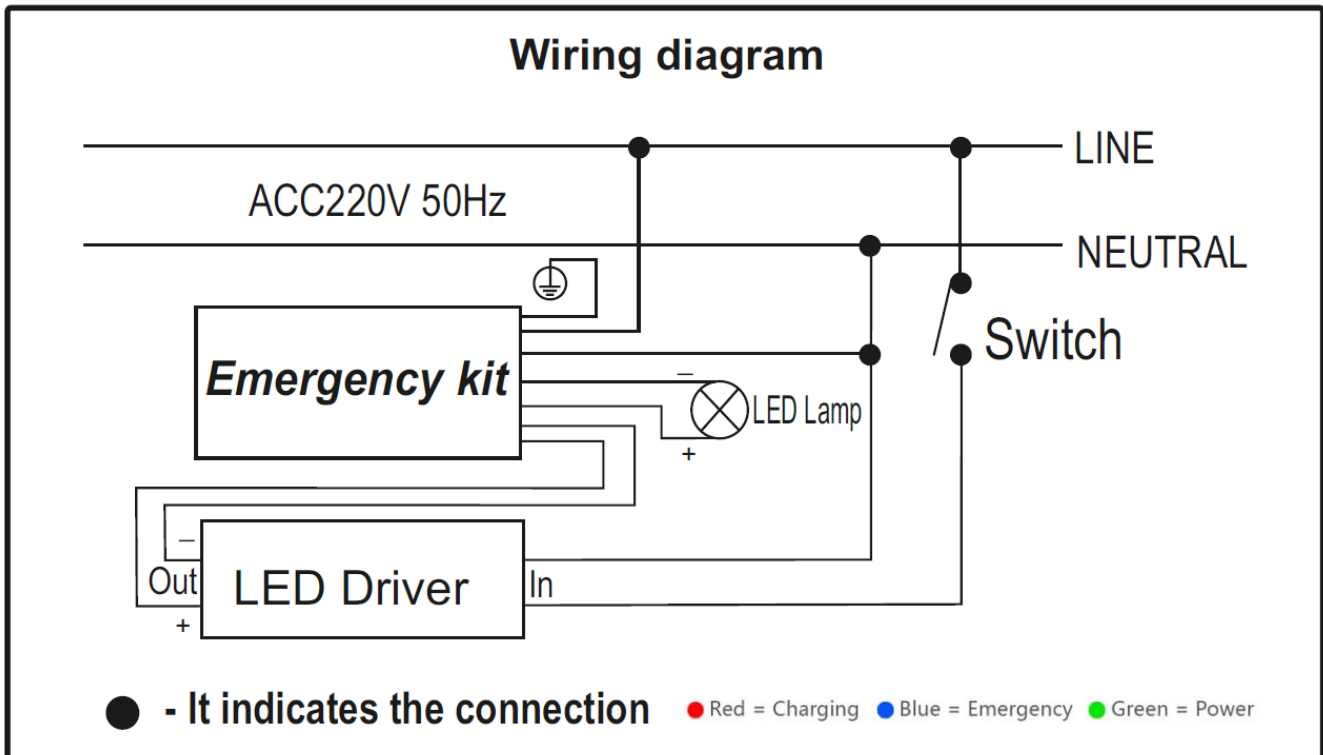
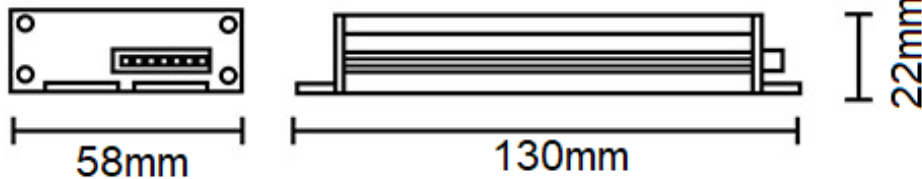
Catalogue number	Length (mm)	Width (mm)	Height (mm)	Length1 (mm)	Width1 (mm)
99LED967CW	175	175	13	155	155
99LED967	175	175	13	155	155
99LED967WW	175	175	13	155	155
99LED968CW	225	225	13	205	205
99LED968	225	225	13	205	205
99LED968WW	225	225	13	205	205

## LED EMERGENCY KIT SPECIFICATIONS »




### General information »


- ∴ Voltage: AC85-265V 50Hz
- ∴ Emergency Output: 3-40W
- ∴ Emergency Time: 2hrs (120mins)
- ∴ Battery: 3.7V 2400mAh
- ∴ Emergency Switching Time: <2s
- ∴ AC Fuse: 250V 1A
- ∴ DC Fuse: 250V 5A
- ∴ Luminous Flux: >100lm
- ∴ Light Source: LED
- ∴ Working temperature: -10°C +55°C
- ∴ IP Rate: IP30



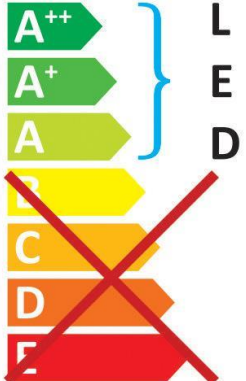
ADDITIONAL INFORMATION »


99LED967CW

---




This luminaire contains built-in LED lamps.



---

The lamps cannot be changed in the luminaire.

874/2012


Catalogue number	Barcode	Packing/Box (pcs)
99LED967CW	3800131215840	1/20
99LED967	3800131215857	1/20
99LED967WW	3800131215833	1/20
99LED968CW	3800131215871	1/20
99LED968	3800131215888	1/20
99LED968WW	3800131215864	1/20

